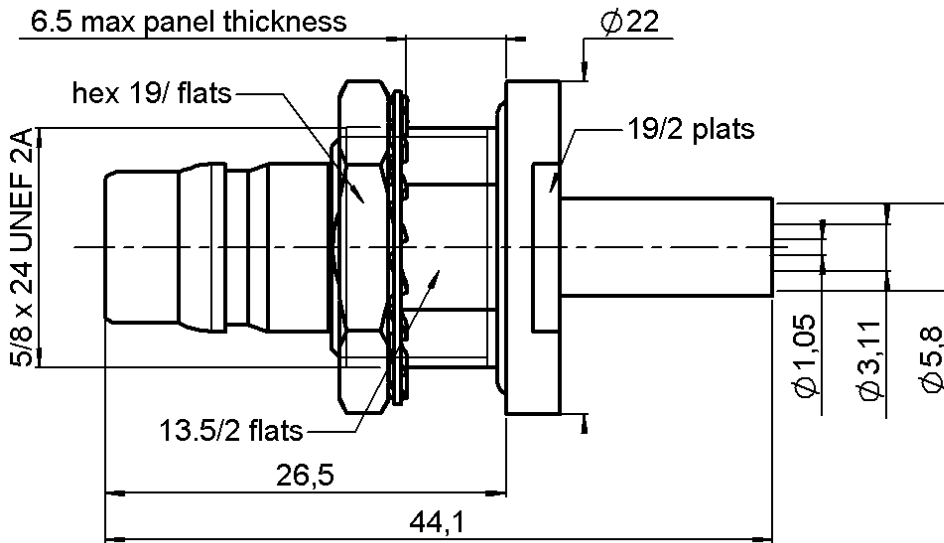


**STRAIGHT BULKHEAD JACK FULL CRIMP**

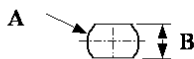
**R164.329.200**

**PANEL SEAL CABLE 5/50 D**

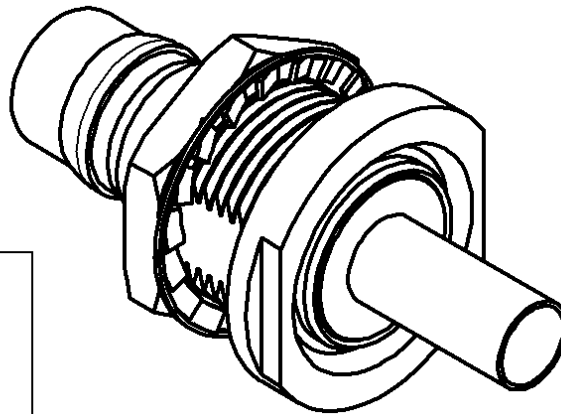
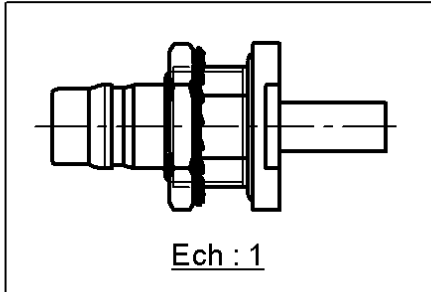
Series : QN



**PANEL CUT OUT**



		mm	
		Maxi	mini
A		16.3	16
B		13.9	13.6



All dimensions are in mm.

COMPONENTS	MATERIALS	PLATING (µm)
BODY	BRASS	BBR 0.5 OVER SILVER 3
CENTER CONTACT	BERYLLIUM COPPER	PASSIVIERUNG SILBER 5 AUF KUPFLER 0.5
OUTER CONTACT	-	-
INSULATOR	PTFE	-
GASKET	SILICONE RUBBER	-
OTHERS PARTS	BRASS	BBR 2
-	-	-
-	-	-

Issue : 0505 B

In the effort to improve our products, we reserve the right to make changes judged to be necessary.



**STRAIGHT BULKHEAD JACK FULL CRIMP**

**R164.329.200**

**PANEL SEAL CABLE 5/50 D**

Series : QN

**PACKAGING**

Standard	Unit	Other
<b>50</b>	<b>'W' option</b>	<b>Contact us</b>

**SPECIFICATION**

**ELECTRICAL CHARACTERISTICS**

Impedance	<b>50</b>	$\Omega$
Frequency	<b>0-6*</b>	GHz
VSWR	<b>1.05 + 0,0250</b>	x F(GHz) Maxi
Insertion loss	<b>0.048</b>	$\sqrt{F}$ (GHz) dB Maxi
RF leakage	- ( <b>**</b> )	- F(GHz)) dB Maxi
Voltage rating	<b>850</b>	Veff Maxi
Dielectric withstanding voltage	<b>1500</b>	Veff mini
Insulation resistance	<b>5000</b>	M $\Omega$ mini

**CABLE ASSEMBLY**

Stripping	a	b	c	d	e	f
mm	4,50	8,00	15,0	0,00	10,5	0,00

Assembly instruction : **Crimp 02**

Recommended cable(s)  
 RG 142  
 KX 23  
 RG 142 FTX  
 RG 400  
 RG 223

Characteristics indicated on this data sheet are those that can be achieved with the highest performance cable. Intrinsic limitations of the cable may diminish the performance of the assembly

Cable retention

- pull off **200** N mini  
 - torque **NA** N.cm

**MECHANICAL CHARACTERISTICS**

Center contact retention		
Axial force – Mating end	<b>27</b>	N mini
Axial force – Opposite end	<b>27</b>	N mini
Torque	<b>NA</b>	N.cm mini

**TOOLING**

Recommended torque		
Mating	<b>NA</b>	N.cm
Panel nut	<b>500</b>	N.cm
Clamp nut	<b>NA</b>	N.cm
A/F clamp nut	<b>19,0000</b>	mm

Part Number	Description	Hexagon
.	.	.
R282.223.000	CRIMPING TOOL	1.73-5.41
R282.235.011	CRIMPING DIES	1.73-5.41
R282.293.000	CRIMPING TOOL	-

Mating life	<b>100</b>	Cycles mini
Weight	<b>39,4100</b>	g

**OTHER CHARACTERISTICS**

\* usable 0-11GHz  
 \*\* Connector only : -90dB min DC<F<3GHz  
 -80dB min 3<F<6GHz

**ENVIRONMENTAL**

Operating temperature	<b>-55/+125</b>	$^{\circ}$ C
Hermetic seal	<b>NA</b>	Atm.cm3/s
Panel leakage	<b>RUISS</b>	

Issue : 0505 B

In the effort to improve our products, we reserve the right to make changes judged to be necessary.

